



◆ Model number

SGP1 - 36 D 2 H 1 - L XXX

① ② ③ ④ ⑤ ⑥ ⑦ ⑧ ⑨

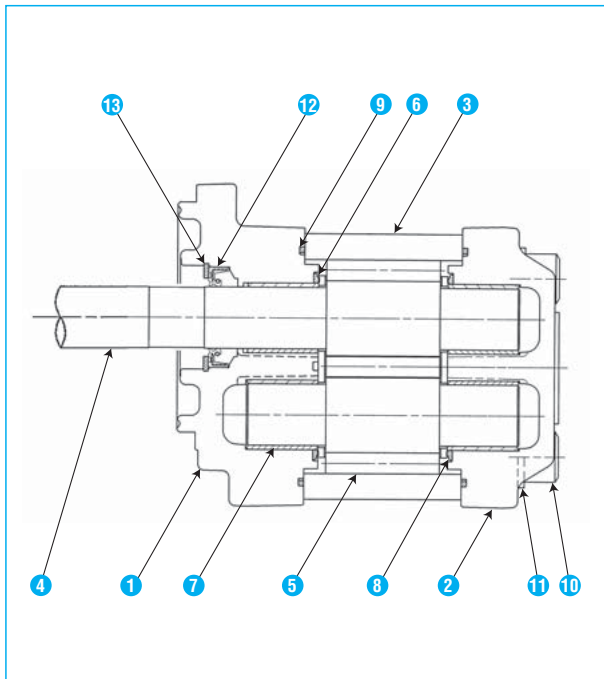
- | | | | |
|---|---|---|---|
| <p>① Series number
SGP 1 series (Cast Iron body)</p> <p>② Mounting spigot diameter
- : $\phi 82_{-0.036}^{-0.038}$
A : $\phi 82.55_{-0.05}^0$</p> <p>③ Size</p> | <p>④ Position of ports
F : rear cover side ports
D : rear ports</p> <p>⑤ Port configuration
1 : flange port (sides only)
2 : G screw thread</p> | <p>⑥ Mounting
H : horizontal 2 bolts</p> <p>⑦ Shaft end
1 : SAE Spline 13 teeth
5 : SAE Spline 10 teeth</p> | <p>⑧ Rotation viewing from shaft end
L = counterclockwise
R = clockwise</p> <p>⑨ Code number in 3 figures</p> |
|---|---|---|---|

◆ Specifications

Size	Displacement		Rated pressure			Max. peak pressure			Speed min ⁻¹		Inlet pressure	Mass									
	cm ³	in ³	MPa	bar	psi	MPa	bar	psi	MIN.	MAX.		kg	lb								
16	16.2	0.988	20.6	206	2987	24.5	245	3553	500	4000	bar -0.20~2.0	3.3	7.26								
18	18.3	1.116										3.4	7.48								
20	20.4	1.244										3.5	7.70								
23	23.7	1.446										3.7	8.14								
25	24.9	1.519									3.8	8.36									
27	27.8	1.696									4.0	8.80									
30	29.9	1.824									4.1	9.02									
32	33.2	2.025									4.2	9.24									
34	34.1	2.080									20.6(18.6)	206(186)	2987(2697)				400	3500	MPa -0.02~0.2	4.3	9.46
36	36.6	2.233									20.6(17.2)	206(172)	2987(2494)							3000	psi -2.9 ~29

NOTE : () SAE spline 10 teeth

◆ Typical assembly



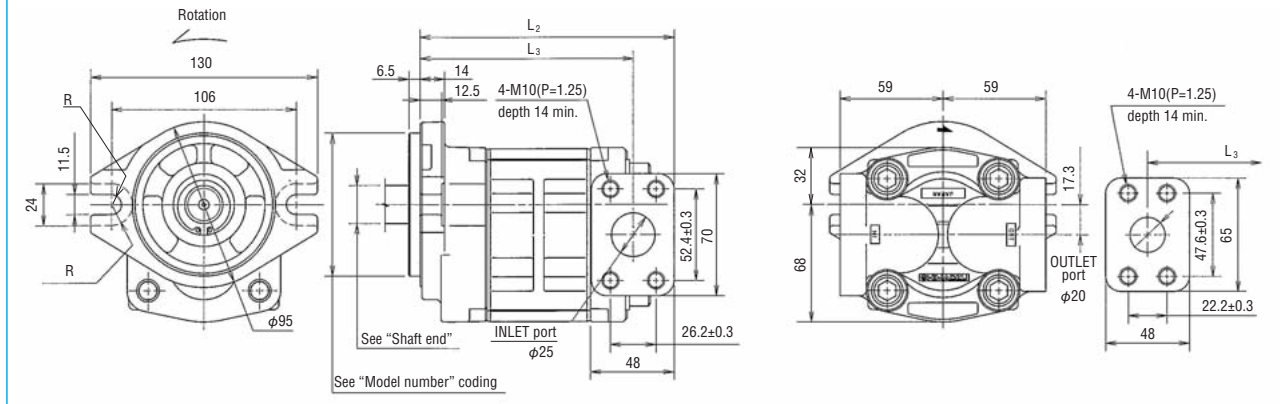
Item No.	Name	QTY	Material
①	Front cover	1	Aluminum alloy
②	Rear cover	1	Aluminum alloy
③	Body	1	Cast iron
④	Drive gear	1	Alloy steel
⑤	Driven gear	1	Alloy steel
⑥	Side plate	2	Special alloy steel
⑦	Bush	4	Special alloy steel
⑧	Gasket	2	Nitrile rubber
⑨	Gasket	2	Nitrile rubber
⑩	Bolt	4	Alloy steel
⑪	Washer	4	Carbon steel
⑫	Oil seal	1	Nitrile rubber
⑬	Retainer ring	1	Carbon tool steel

NOTES : "QTY" shows the amount per one

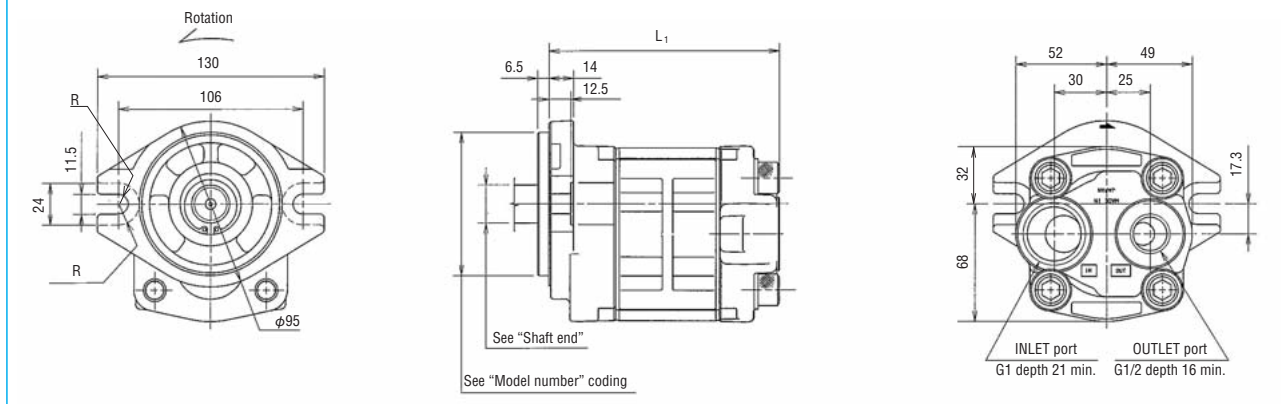
◆ Outline dimensions

dimensions in mm

SGP1_A□F1H□-LXXX (Side ports)



SGP1_A□D2H□-LXXX (Rear ports)



NOTE 1. Figure shown indicated counterclockwise rotation "L" viewing from shaft end. Clockwise rotation "R" is mirror image of this.

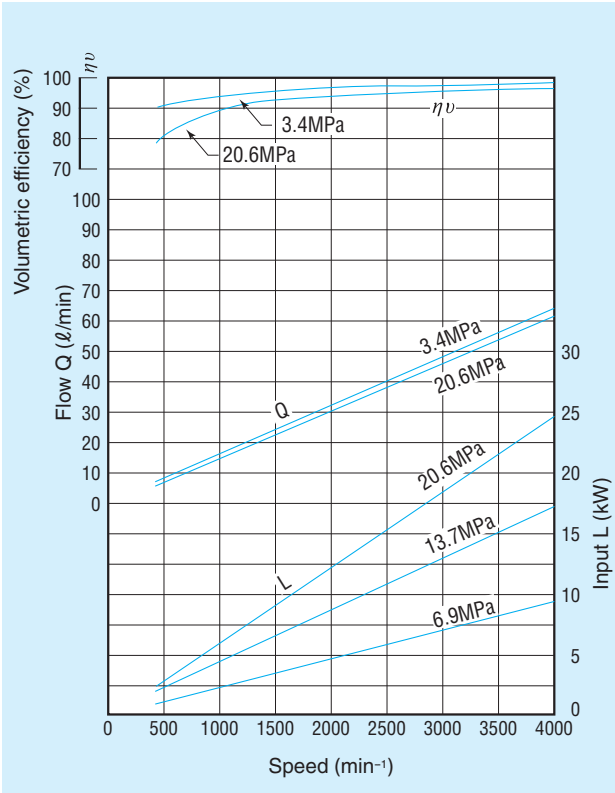
2. Unless otherwise specified, tolerance on dimension are ±1.0 mm.

Size	L ₁	L ₂	L ₃
16	108.0	121.5	98.0
18	110.5	124.0	100.5
20	113.0	126.5	103.0
23	117.0	130.5	107.0
25	118.5	132.0	108.5
27	122.0	135.5	112.0
30	124.5	138.0	114.5
32	128.5	142.0	118.5
34	129.5	143.0	119.5
36	132.5	146.0	122.5

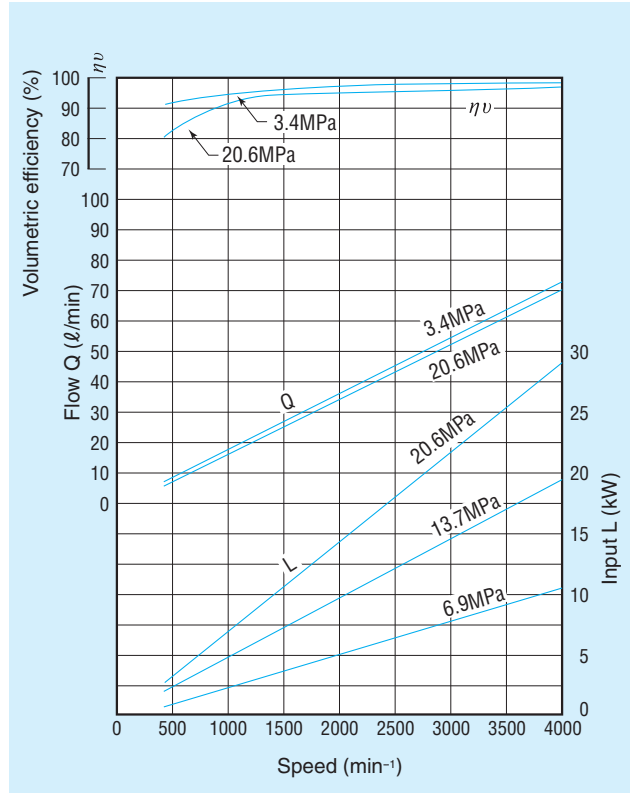
● Shaft end

SAE Spline (Some dimensions are different form SAE standard.)	
SAE Spline 13 teeth	SAE Spline 10 teeth
<p>No. of tooth : 13 D.P. : 16/32 Pressure angle : 30° Over pin dia. : 24.891~ 24.819 Pin dia. : φ3.048</p>	<p>No. of tooth : 10 D.P. : 16/32 Pressure angle : 30° Over pin dia. : 20.263~ 20.193 Pin dia. : φ3.048</p>

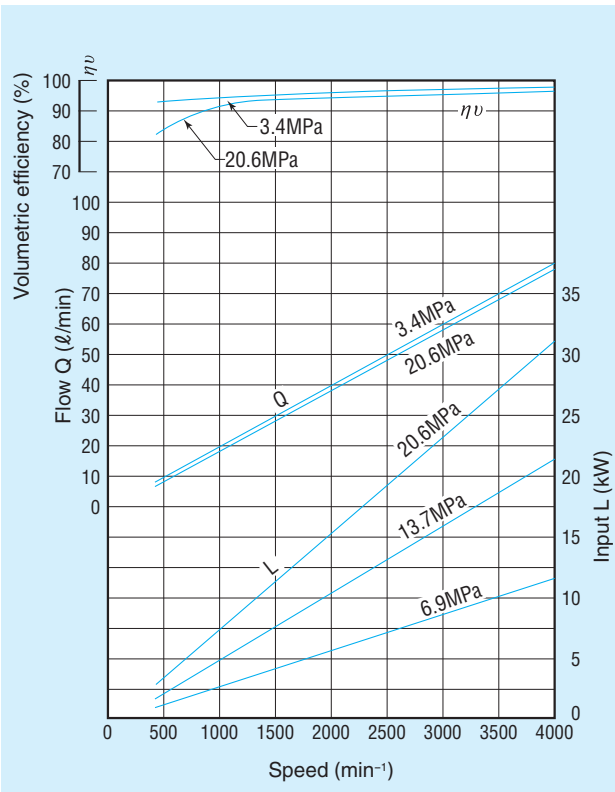
SGP1-16



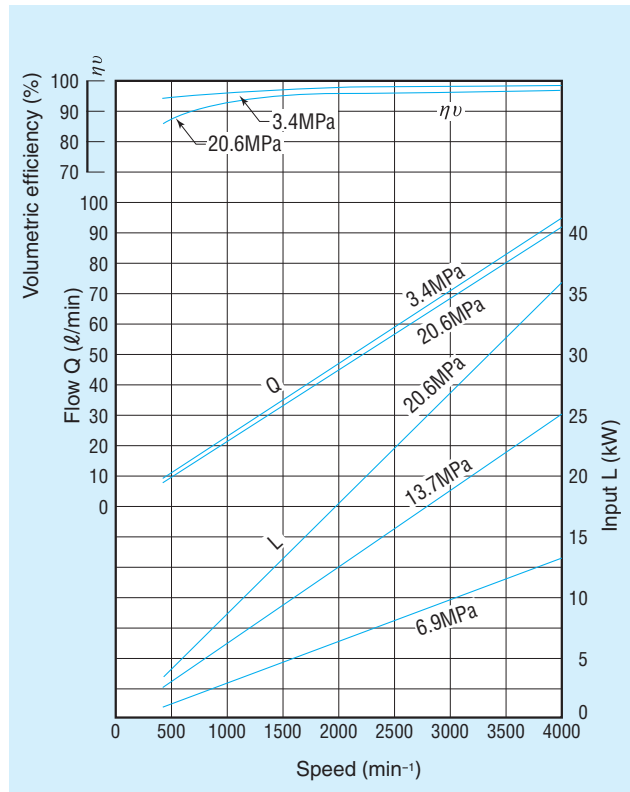
SGP1-18



SGP1-20



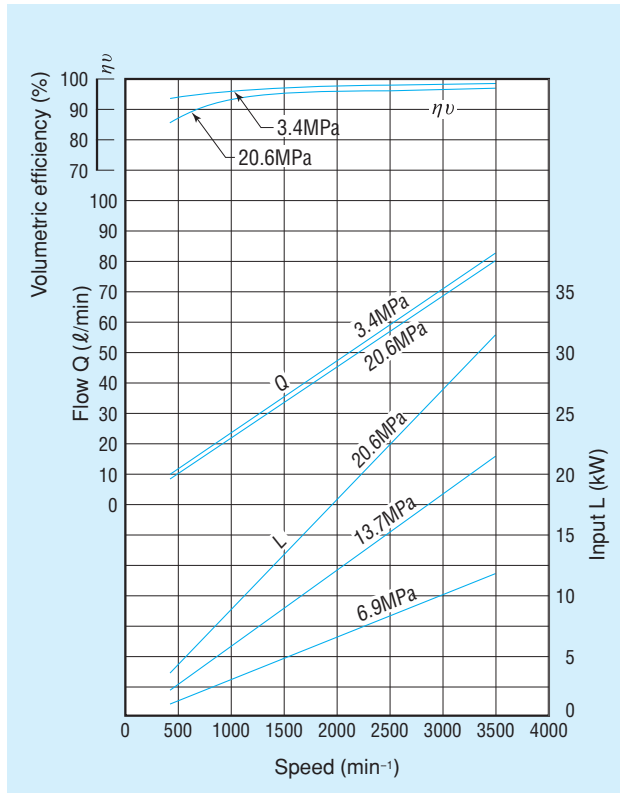
SGP1-23



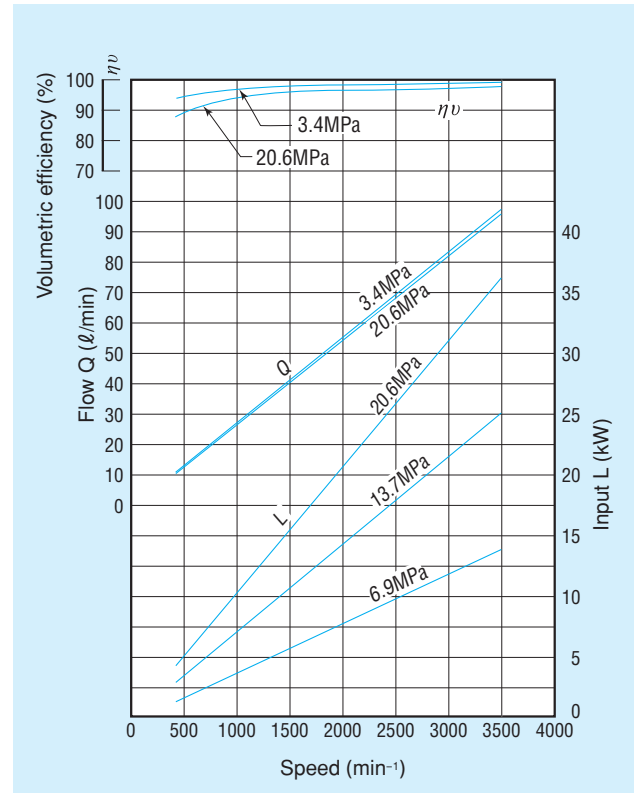
SGP1 Series Performance curves

OIL: ISO VG32 Hydraulic Fluid at 40°C

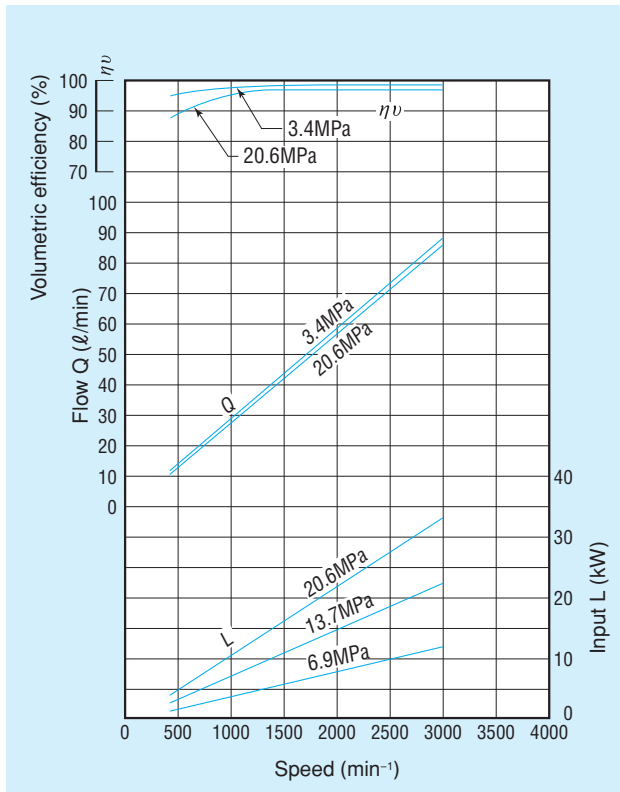
SGP1-25



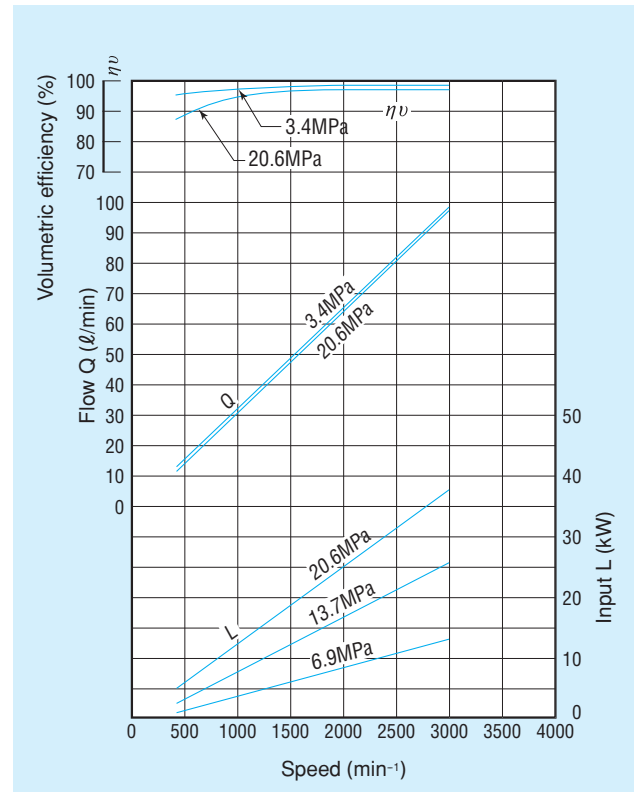
SGP1-27



SGP1-30



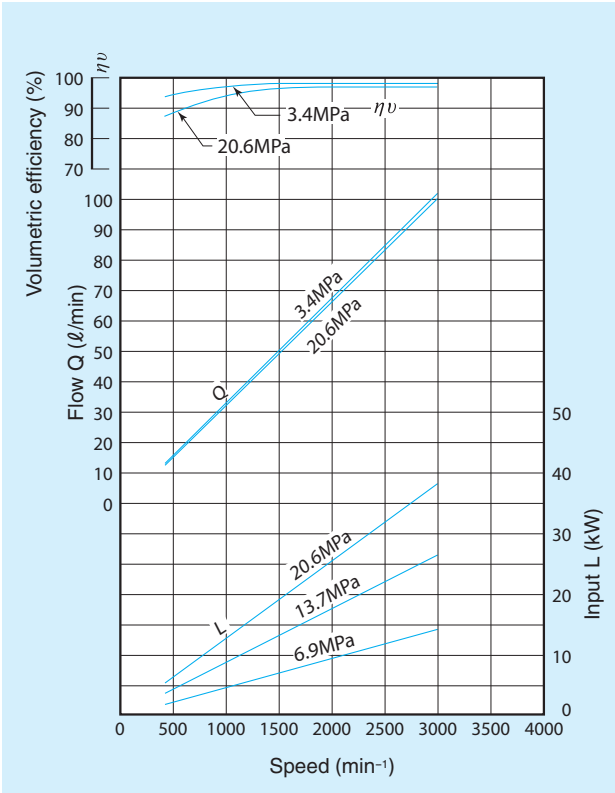
SGP1-32



SGP1 Series Performance curves

OIL: ISO VG32 Hydraulic Fluid at 40°C

SGP1-34



SGP1-36

