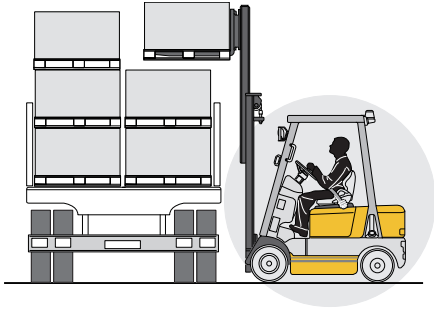


## I.C. counterbalanced forklift truck

I.C. counterbalanced forklift truck, full-free-view mast lifting from 3.000 to 6.000 mm, side-shift, power steering, steering column multiple adjustable, Automatic transmission. Motor Euro 3. Standard equipped with lighting, driving direction inverter at steering column, comfort driver seat enabled to absorb and limit the vibrations.



OMG S.p.A.  
via dell'Artigianato, 12  
46023 - GONZAGA (MN) Italy  
Tel. + 39 0376 52.60.11  
Fax. + 39 0376 58.80.08  
[www.omgindustry.com](http://www.omgindustry.com)  
[info@omgindustry.com](mailto:info@omgindustry.com)



Azienda Certificata  
ISO 9001:2008 N°7236 MN  
ISO 9001:2008 N°23355

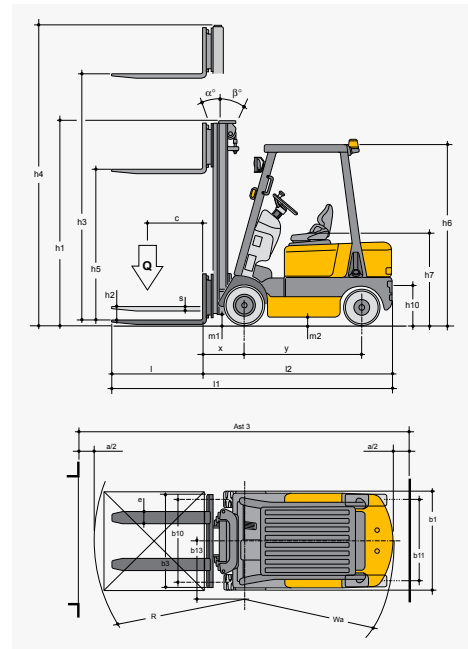
• Ergos 25 D-G

Characteristics			OMG S.p.A.				
			ERGOS 25 D	ERGOS 25 G			
1.1	Manufacturer		OMG S.p.A.				
1.2	Manufacturer's model designation		ERGOS 25 D      ERGOS 25 G				
1.3	Drive : D ( diesel ) G ( lpg )		D                                  G				
1.4	Type of control : S ( steering wheel ) R ( seated )		S / R				
1.5	Load capacity	<b>Q ( t )</b>	2.5				
1.6	Load centre distance	<b>c ( mm )</b>	500				
1.8	Load distance, centre of drive axle to fork	<b>X ( mm )</b>	465				
1.9	Wheelbase	<b>Y ( mm )</b>	1.550				
Weight	2.1	Service weight	3.800	3.720			
	2.2	Axle loading ( with load )	front / rear	5.470 / 830			
	2.3	Axle loading ( without load )	front / rear	1.410 / 2.390			
Wheels - Chassis	3.1	Tyres : se ( superelastic ) cu ( cushion ) pn ( pneumatic )	se / pn				
	3.2	Front wheels size	mm 7.00 - 12 - 12				
	3.3	Rear wheels size	mm 6.00 - 9 - 10				
	3.5	Wheels : number front / rear ( x = traction )	2 / 2				
	3.6	Track width, front	<b>b 10 ( mm )</b>	970			
	3.7	Track width, rear	<b>b 11 ( mm )</b>	985			
	Dimensions	4.1	Mast tilting forward / backward	a / b 6 / 12			
4.2		Lowered mast height	<b>h1 ( mm )</b>	2.150			
4.3		Free lift	<b>h5 ( mm )</b>	/			
4.4		Lifting height	<b>h3 ( mm )</b>	3.260			
4.5		Extended mast height	<b>h4 ( mm )</b>	4.520			
4.7		Overhead guard ( cab )	<b>h6 ( mm )</b>	2.150			
4.8		Seat height	<b>h7 ( mm )</b>	1.140			
4.12		Coupling height	<b>h10 ( mm )</b>	250			
4.19		Total length	<b>l1 ( mm )</b>	3.705			
4.20		Length to forks face	<b>l2 ( mm )</b>	2.505			
4.21		Overall width	<b>b1 / b2 ( mm )</b>	1.158 / 1.532			
4.22		Forks dimensions	<b>s / e / l</b>	40 / 125 / 1.200			
4.23		Fork carriage Class / Type A, B		II A			
4.24		Fork carriage width	<b>b3 ( mm )</b>	1.024 / 1.650			
Performances		4.31	Ground clearance, under the mast	laden	<b>m1 ( mm )</b>	116	
		4.32	Ground clearance, centre of wheelbase	laden	<b>m2 ( mm )</b>	196	
	4.33	Aisle width with pallets 1000 x 1200 forking side 1200		<b>Ast3 ( mm )</b>	/		
	4.34	Aisle width with pallets 800 x 1200 forking side 800		<b>Ast3 ( mm )</b>	3.905		
	4.35	Turning radius		<b>Wa ( mm )</b>	2.250		
	4.36	Smallest pivot point distance		<b>b13 ( mm )</b>	/		
	5.1	Travel speed	laden / unladen	<b>Km / h</b>	18 / 19		
	5.2	Lifting speed	laden / unladen	<b>m / s</b>	0.53 / 0.65		
	5.3	Lowering speed	laden / unladen	<b>m / s</b>	0.47 / 0.44		
	5.5	Drawbar pull ( a 2 Km/h )	laden / unladen	<b>N</b>	17.700 / 13.700      13.200 / 11.700		
5.7	Gradient performance ( a 2 Km/h )	laden / unladen	<b>%</b>	25 / 22      20 / 19.5			
5.9	Acceleration time ( 10 m )		<b>s</b>	/			
5.10	Service brake M ( mechanical ) I ( hydraulic )			M - I			
Motor	7.1	Manufacturer / type	YANMAR 4TNE98	NISSAN K-25			
	7.2	Engine power	<b>KW</b>	44.1	38		
	7.3	Rated speed	<b>rpm</b>	2.450	3.200		
	7.4	Number of cylinders / cubic capacity	<b>cm<sup>3</sup></b>	4 / 3.319	4 / 2.488		
	7.5	Fuel consumption according to VDI cycle	<b>l / h - kg / h</b>	3.1	2.75		
Others	8.1	Type of drive control		powershift 1/1			
	8.2	Operation pressure for attachments	<b>bar</b>	185			
	8.3	Oil volume for attachments ( max available )	<b>l / min</b>	/			
	8.4	Sound level at driver's ear	<b>dB ( A )</b>	88			
	8.5	Tow coupling, type DIN		/			

Technical specification according VDI 2198

Information and data are given for information only, OMG S.p.A. will have the sole right for technical changes and improvements without giving any notice.

working lights	s	front twin tyres	o
flashing beacon	s	wider fork holder plate	o
reverse buzzer	s	complete metal cabin	o
vertical exhaust pipe	s	half cabin	o
2 driving mirrors	s	half cabin with PVC doors	o
suspended comfort seat	s	heating system	o
side-shift	s	air conditioning system	o
3rd. hydraulic function	s	hose set for 4th hydraulic function	o
s=standard		o=option	



h3		h1	h4	h2	h5	(Q) t c=500 mm	(Q) t c=600 mm
2.960 dx	mm	2.000	4.220	/	1.490	2.5	2.1
3.260 dx	mm	2.150	4.520	/	1.650	2.5	2.1
3.460 dx	mm	2.250	4.720	/	1.750	2.35	1.95
3.960 dx	mm	2.550	5.220	/	2.000	2.35	1.95
4.460 tx ffl	mm	2.100	5.720	/	1.490	2.2	1.85
4.760 tx ffl	mm	2.150	6.020	/	1.600	2.1	1.75
4.960 tx ffl	mm	2.250	6.220	/	1.650	2.1	1.75
5.960 tx ffl	mm	2.650	7.220	/	2.000	1.65	1.4